

# OPERATING INSTRUCTIONS AND OWNER'S MANUAL



## PORTABLE RADIANT BUDDY HEATER

Model #

MH4B

**READ INSTRUCTIONS CAREFULLY:** Read and follow all instructions. Place instructions in a safe place for future reference. Do not allow anyone who has not read these instructions to assemble, light, adjust or operate the heater.



PORTABLE PROPANE HEATER  
FOR RECREATIONAL,  
COMMERCIAL AND  
EMERGENCY INDOOR USE

FOR US SALE EXCEPT  
MASSACHUSETTS

**Use only Mr. Heater branded accessories  
(See page 8 for WARNING information)**

**WARNING:** If the information in this manual is not followed exactly, a fire or explosion may result causing property damage, personal injury or loss of life.

- Do not store or use gasoline or other flammable vapors and liquids in the vicinity of this or any other appliance.
- An LP cylinder not connected for use shall not be stored in the vicinity of this or any other appliance.
- WHAT TO DO IF YOU SMELL GAS
  - Do not try to light appliance.
  - Extinguish any open flame.
  - Shut off gas to appliance.
- Service must be performed by a qualified service agency.

This is an unvented gas-fired portable heater. It uses air (oxygen) from the area in which it is used. Adequate combustion and ventilation air must be provided. Refer to page 3.

**WARNING:**

⚠ Every time hose or tank is connected to unit, connection must be checked for leaks in one or more ways: Apply soapy water to connection, look for bubbles, listen for hiss of escaping gas, feel for extreme cold, smell for rotten egg odor. Do not use if leaking!

**WARNING:**

⚠ Any changes to this heater or its controls can be dangerous.

**WARNING:**

⚠ Early signs of carbon monoxide poisoning resemble the flu, with headache, dizziness and/or nausea. If you have these signs, heater may not be working properly. Get fresh air at once! Have heater serviced.

**WARNING:**

⚠ If the recreational or commercial enclosure does not have a window or roof vent, **DO NOT USE THIS HEATER INSIDE.**

**THE STATE OF CALIFORNIA REQUIRES THE FOLLOWING WARNINGS:**

**WARNING:** Combustion by-products produced when using this product contain carbon monoxide, a chemical known to the State of California to cause cancer and birth defects (or other reproductive harm).

**WARNING:** This product contains chemicals known to the State of California to cause cancer and birth defects or other reproductive harm.

**NOTICE:** Not for use in a "dwelling home" in California.

**CONTENTS**

General Safety Instructions .....	3
General Information.....	3
Operating with Disposable Propane Cylinders .....	4
Maintenance.....	4
Troubleshooting .....	5
Parts List.....	6
Parts Ordering Information .....	8
Service Information.....	8

**SPECIFICATIONS**

MODEL NO. ....	MH4B
GAS TYPE.....	PROPANE
INPUT BTU/HR.....	3,800
CLEARANCE TO COMBUSTIBLES	
TOP .....	30"
FRONT.....	24"
SIDES .....	6"
REAR.....	0"

**CAUTION:**

- **When operating the heater at altitudes over 7,000 FT above sea level the heater may shut off.** (Please read the GENERAL INFORMATION).

## GENERAL SAFETY INSTRUCTIONS

**THIS IS A HEATING APPLIANCE. DO NOT OPERATE THIS APPLIANCE WITHOUT THE FRONT WIRE GUARD INSTALLED. DO NOT ATTEMPT TO WARM OR COOK FOOD ON THIS HEATER.**

- Do not use non-approved attachments on this heater.
- Due to high temperatures, the appliance should be located out of traffic and away from combustible materials.
- Children and adults should be alerted to the hazard of high surface temperatures and should stay away to avoid burns or clothing ignition.
- Young children should be carefully supervised when they are near the appliance.
- Do not place clothing or other flammable material on or near the appliance.
- Do not operate heater in any moving vehicle.
- This heater can only be used in a recreational or commercial enclosure with a window or roof vent. It may also be used outdoors.
- This heater requires a vent area of 4 square inches (example 2" x 2" opening) minimum for adequate ventilation during operation. Do not use other fuel burning appliances inside.
- GAS PRESSURE AT HEATER IS REGULATED AND FIXED AT 11" W.C.
- REGULATOR IN HEATER MUST ALWAYS BE IN PLACE DURING OPERATION.
- Any safety screen or guard removed for servicing the appliance must be replaced prior to operating the heater.
- The appliance should be inspected before each use. Frequent cleaning may be required. The control compartments, burner and circulating air passageways of the appliance must be kept clean, see MAINTENANCE.
- DO NOT use this heater if any part has been under water. Immediately call a qualified service technician to inspect the heater and to replace any part of the control system and any gas control, which has been under water.
- When used without adequate combustion and ventilation air, this heater may give off excessive CARBON MONOXIDE, an odorless, poisonous gas.
- Some people - pregnant women, persons with heart or lung disease, anemia, those under the influence of alcohol, those at high altitudes - are more affected by carbon monoxide than others.
- When heater is placed on the ground, make sure the ground is level and keep any objects at least 24 inches from the front of the heater. THIS HEATER IS EQUIPPED WITH A TIP OVER SWITCH THAT WILL SHUT THE HEATER OFF IF THE HEATER TIPS OVER HOWEVER, DO NOT LEAVE HEATER UNATTENDED OR WHERE CHILDREN MAY CAUSE THE HEATER TO TIP OVER. NEVER OPERATE THE HEATER WHILE SLEEPING!



## GENERAL INFORMATION:

- This heater is safe for indoor use in small recreational enclosures, having means for providing combustion air and ventilation, such as enclosed porches, cabins, fishing huts, trailers, tent trailers, tents, truck caps and vans. It may be used for emergency indoor heating when connected to a disposable 1 lb. propane cylinder and for indoor use in commercial enclosures, having means for providing combustion air and ventilation, such as construction trailers or temporary work enclosures.

- Note:** The heater can be used outdoors, but may experience nuisance shutoffs due to certain wind conditions.
- When the heater is cold or at room temperature, it will take a few minutes for the burner tile to turn bright orange. This is normal and the heater is working properly. If burner tile is visibly flaming, turn heater off and call a qualified service technician.
  - When the unit is lit, there should be about a quarter inch (1/4") border around the tile that will not turn bright orange. This is normal.
  - When operating the heater for the first time, the top area of the reflector may discolor. This is also normal and is no reason for concern.
  - **When operating the heater at altitudes over 7,000 FT. above sea level, the unit may not burn as bright as in lower altitudes. This is normal. At higher altitudes, the heater may shut-off. If this happens, provide fresh air, wait 5 minutes and re-light. Due to local atmospheric conditions heater may not re-light.**
  - Operating time will be approximately 5 hours on a one 1lb. cylinder. Due to the properties of LP gas, runtimes can be significantly reduced when operating continuously at temperatures below 20°F.
  - This heater is equipped with a tip-over safety switch. Nuisance shut-downs may be experienced if the unit is bumped or moved. If this occurs simply relight the heater.
  - Due to natural operation of small tanks, condensation may build up on tank and drip on surface under heater. Sometimes this condensation may freeze due to the extreme cold caused when propane vaporizes. This is normal and no reason for alarm.

## LIGHTING / OPERATING INSTRUCTIONS

**WARNING:** Always inspect propane cylinder and heater propane connections for damage, dirt, and debris before attaching propane cylinder. Do not use if head of cylinder is damaged, punctured or deteriorated.

ALWAYS ATTACH OR DETACH CYLINDER OUTDOORS AWAY FROM FLAMES, OTHER IGNITION SOURCES, AND ONLY WHEN HEATER IS COOL TO TOUCH. NEVER SMOKE WHEN ATTACHING OR REMOVING PROPANE CYLINDER OR MAKING REMOTE CONNECTIONS!

- Use only LP-gas cylinders marked in accordance with the U.S. Dept. of Transportation (DOT).
- Use only 16.4 oz. (1 lb.) disposable cylinders that mate with No. 600 valve connection.
- Heater and attached cylinder must be in an upright position during operation.
- Screw 1 lb. disposable LP-gas supply cylinder clockwise (from bottom) into portable heater until hand-tight and fit cylinder into stand. Do not use thread sealant on this connection.
- Check cylinder connection for leaks with soapy water at the threaded connection under the domed plastic cover where the cylinder screws into the regulator. SEE WARNING! ON PLASTIC COVER.
- Depress "ON" button to light pilot flame (repeat until pilot lights) and continue to hold for 30-60 seconds.
- After lighting pilot, release "ON" button to light heater.
- To shut off heater, press the "OFF" button.
- **CAUTION:** After turning heater off, wire guard will remain hot. Allow to thoroughly cool before storing.
- Do not operate, store or remove cylinder near flammable items or ignition sources.
- LP-GAS CYLINDERS MUST BE DISCONNECTED FROM HEATER WHEN NOT IN USE!

## MAINTENANCE:

Always keep the heater area clear and free from combustible materials, gasoline and other flammable vapors and liquids.

Keep the vent areas (slots in the bottom and top of the heater) clear at all times.

Visually inspect the pilot flame and burner periodically during use. The pilot flame should be blue in color (not yellow) and will extend to the thermocouple. The flame will surround the thermocouple just below the tip, see Figure 2.

A slight yellow flame may occur where the pilot flame and main burner flame meet. The burner should be bright orange (with a slight blue color around the border, a red-orange haze that is visible on the ceramic tile is acceptable) and without a noticeable flame.

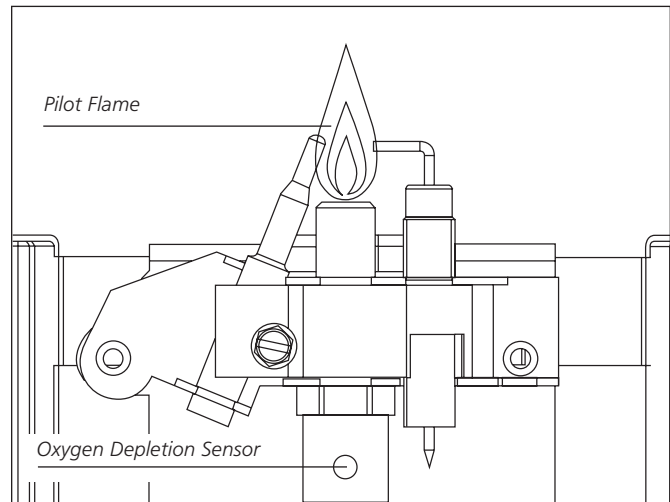


Figure 2

A blue flame that rolls out at the top of the ceramic tile indicates an accumulation of dust, lint or spider webs inside the housing assembly and main burner assembly. If the pilot is yellow or the burner has a noticeable flame, cleaning may be required. Use the following procedure to inspect the casing assembly and main burner assembly. It is necessary to periodically check the burner orifice and burner venturi to make sure that they are clear of things such as insect nests and spider webs that may accumulate over time. A clogged tube can lead to a fire.

### CLEANING INSTRUCTIONS:

1. Allow heater to thoroughly cool before performing any maintenance.
2. Remove disposable 1 lb. propane cylinder from heater.
3. Remove right side plastic service panel (ref.5) by removing the six screws holding it in place.
4. Inspect the interior of casing for accumulation of dust, lint or spider webs. If necessary, clean the interior of the casing assembly with a vacuum cleaner or compressed air (max 30 psi). Do not damage any components within the casing assembly when you are cleaning.
5. Inspect and clean main burner (ref. 13) and orifice (ref. 3) by using a vacuum or compressed air (max 30 psi).
6. Inspect and clean pilot tube (ref. 14). Insert a doubled over pipe cleaner into the pilot tube until it bottoms against the pilot orifice (approximately 2"). Rotate the pipe cleaner a couple of times and remove. Blow out the remaining debris using compressed air.

**WARNING:** Never use needles, wires or similar cylindrical objects to clean the pilot to avoid damaging the calibrated ruby that controls the gas flow through the pilot orifice.

7. Apply compressed air (max 30 psi) into the ceramic tile of burner assembly and venturi tube (ref. 13) to remove dust, lint and spider webs.
8. Reinstall the right side plastic service panel.

## TROUBLESHOOTING INFORMATION:

*If Spark electrode does not produce spark.*

**CHECK**

- Spark electrode broken – replace.
- Igniter wire may not be attached to spark electrode.– attach
- Igniter wire damaged – replace.
- Piezo igniter defective – replace gas valve assembly.

*If Spark electrode produces spark but pilot does not light.*

**CHECK**

- No gas to heater – re-install or replace gas cylinder.
- Pilot is blocked from spider web or dirt – clean pilot, see MAINTENANCE.

*If Pilot flame does not stay lit when button is released.*

**CHECK**

- “Pilot/Ignition” button not held long enough to purge air from line.
- Pilot flame not surrounding thermocouple – clean pilot, see MAINTENANCE.
- Pilot Assembly defective – replace.
- Tip switch wires disconnected – connect tip switch (check off switch and off switch wiring).

*If Main burner does not ignite.*

**CHECK**

- Main burner orifice is blocked – clean burner, see MAINTENANCE.

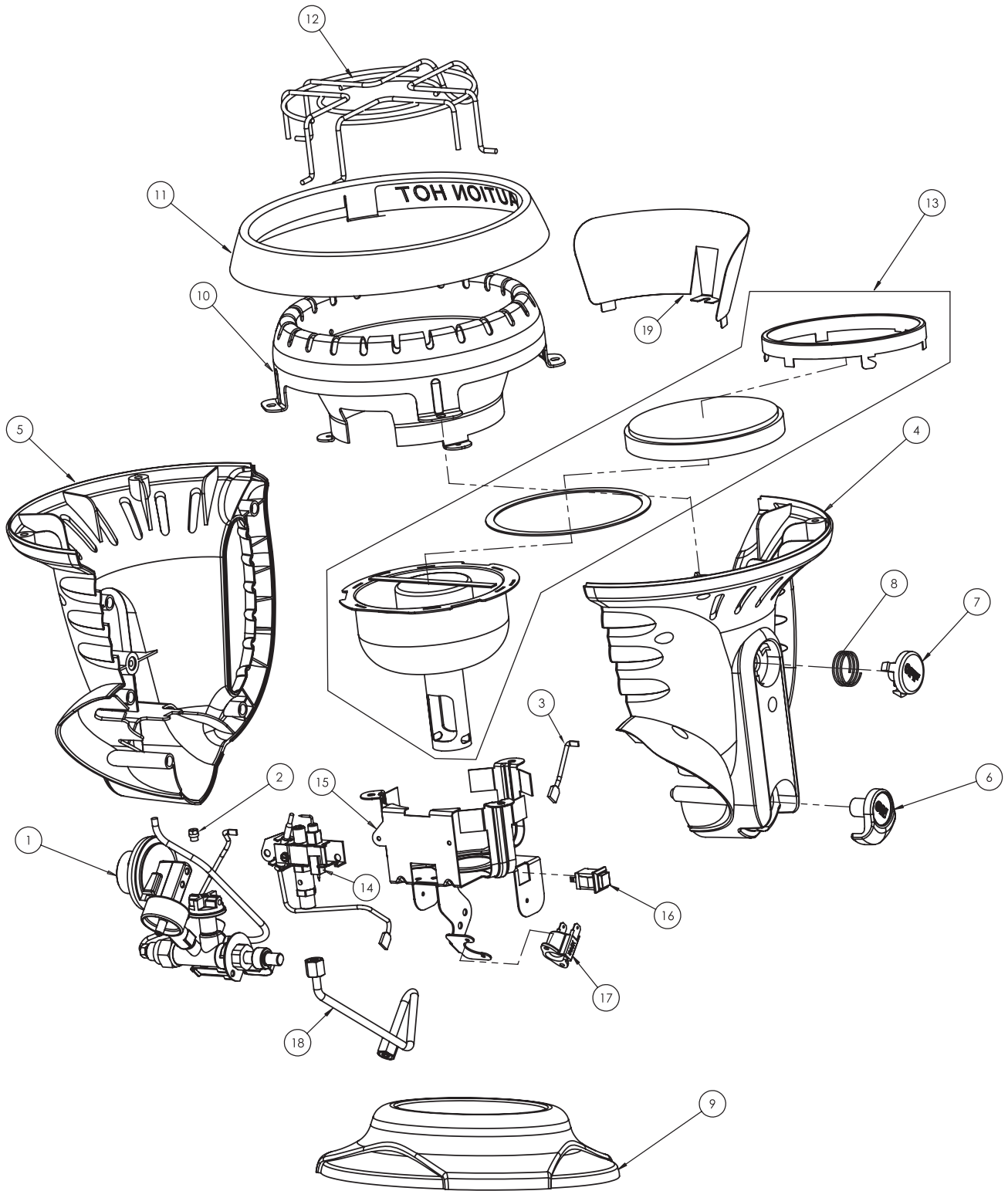
*If Heater keeps shutting OFF during normal operation.*

**CHECK**

- Pilot is blocked – clean pilot, see MAINTENANCE.
- Provide minimum fresh air opening of 4 square inches (example 2” x 2” opening).
- Tip over switch activated from bumping heater.  
Re-light

—INTENTIONALLY LEFT BLANK—

Mr. Heater MH4B



**PARTS LIST:  
SEE BACK PAGE FOR PARTS ORDERING INFORMATION**

ITEM NO.	PART NUMBER	DESCRIPTION	
1	15161	Regulator/Valve Assembly	1
2	15151	Orifice	1
3	15163	Off Button Wire	1
4	15126	Left Housing	1
5	15128	Right Service Housing	1
6	15122	On Button	1
7	15123	Off Button	1
8	15165	Off Button Spring	1
9	15124	Tank Base	1
10	15157	Reflector Panel	1
11	15158	Reflector Ring	1
12	15162	Wire Guard	1
13	15138	Burner Assembly	1
14	15155	ODS/Pilot Assembly	1
15	15153	Burner Bracket	1
16	15145	Off Switch	1
17	73403	Tipover Switch	1
18	15148	Pilot Fuel Line	1
19	15154	Heat Shield	1

**NOTES:**

---

---

---

---

---

---

---

---

---

---

---

---

---

---

---

---

---

---

---

---

---

---

---

---

---



# PORTABLE RADIANT BUDDY HEATER

Model #

MH4B

**READ INSTRUCTIONS CAREFULLY:** Read and follow all instructions. Place instructions in a safe place for future reference. Do not allow anyone who has not read these instructions to assemble, light, adjust or operate the heater.

**⚠ WARNING:**

USE ONLY MANUFACTURER'S REPLACEMENT PARTS. USE OF ANY OTHER PARTS COULD CAUSE INJURY OR DEATH. REPLACEMENT PARTS ARE ONLY AVAILABLE DIRECT FROM THE FACTORY AND MUST BE INSTALLED BY A QUALIFIED SERVICE AGENCY.

**⚠ WARNING:**

THIS PRODUCT IS A HEATER. IT IS CERTIFIED TO CSA INTERNATIONAL REQUIREMENT SECTION 4.98, "GAS FIRED PORTABLE HEATERS FOR RECREATIONAL OR COMMERCIAL USE." THIS PRODUCT IS **NEVER** TO BE USED FOR THE COOKING OR WARMING OF FOODS AS DOING SO CAN INTERFERE WITH THE SAFETY SYSTEMS OF THE HEATER, WHICH MAY RESULT IN A FIRE, EXPLOSION, THE PRODUCTION OF DEADLY CARBON MONOXIDE, AND PERSONAL INJURY OR DEATH TO YOU OR OTHERS. **NEVER** USE HAND-MADE OR THIRD PARTY ACCESSORIES OR ATTACHMENTS WITH THIS HEATER; THIS IS EXTREMELY DANGEROUS AND MAY RESULT IN PERSONAL INJURY OR DEATH TO YOU OR OTHERS.

## PARTS ORDERING INFORMATION:

**PURCHASING:** Accessories may be purchased at any Mr. Heater local dealer or direct from the factory

### FOR INFORMATION REGARDING SERVICE

Please call Toll-Free 800-251-0001  
www.mrheater.com

Our office hours are 8:00 AM – 5:00 PM, EST, Monday through Friday.

Please include the model number, date of purchase, and description of problem in all communication.

## LIMITED WARRANTY

Mr. Heater, Inc. warrants its heaters and accessories to be free from defects in material and workmanship for a period of 1 year from date of purchase. Mr. Heater, Inc. will repair or replace this product free of charge if it has been proven to be defective within the 1-year period, and is returned at customer expense with proof of purchase to Mr. Heater, Inc. within the warranty period. **DISCLAIMER:** This warranty does not cover any product that: a) has been subject to misuse or neglect; b) has been used in a manner inconsistent with the warnings and instructions contained in the owner's manual, including but not limited to using a heater for the cooking or warming of foods; or c) has been used with hand-made or third party accessories or attachments. This warranty gives you specific legal rights, and you may also have other rights which vary from state to state.

Mr. Heater, Inc. reserves the right to make changes at any time, without notice or obligation, in colors, specifications, accessories, materials and models.

PRODUCT REGISTRATION: Thank you for your purchase.  
Please log in to <http://www.egiregistration.com> to register your product.

MR. HEATER, INC., 4560 W. 160TH ST., CLEVELAND, OHIO 44135 • 800-251-0001  
Mr. Heater and Portable Buddy are registered trademarks of Enerco Group, Inc.  
© 2017, Enerco/Mr. Heater. All rights reserved



CSA 4.98  
U.S.



# INSTRUCCIONES DE USO Y MANUAL DEL USUARIO



## RADIANTE PORTÁTIL CALENTADOR DE AMIGOS

Modelo #

MH4B

**LEA LAS INSTRUCCIONES ATENTAMENTE:** Lea y siga todas las instrucciones. Guarde estas instrucciones en un lugar seguro por si necesita consultarlas en el futuro. No permita que nadie que no haya leído estas instrucciones arme, encienda, ajuste o haga funcionar el calentador.



Calentador portátil de propano  
PARA USO EN EL INTERIOR DE  
RECREO, COMERCIAL Y DE  
EMERGENCIA

PARA LA VENTA US,  
excepto en Massachusetts

Utilice únicamente accesorios de marca  
Mr. Heater (Ver página 8 para obtener  
información de ADVERTENCIA)

**ADVERTENCIA:** Si no se siguen exactamente las instrucciones de este manual, se puede producir un incendio o una explosión que podría causar daños a la propiedad, lesiones a las personas o la muerte.

- No guarde ni utilice gasolina u otros vapores o líquidos inflamables cerca de este u otros aparatos.
- Los cilindros de gas propano líquido que no estén conectados para su uso no se deben guardar cerca de este u otros aparatos.
- QUÉ HACER SI PERCIBE OLOR A GAS
  - No intente encender el aparato.
  - Apague todas las llamas.
  - Cierre el suministro de gas al aparato.
- El mantenimiento se debe realizar en un servicio técnico habilitado.

Este es un calentador portátil a gas sin ventilación. Utiliza el aire (oxígeno) del lugar donde se lo está usando. Se debe usar con una combustión y una circulación del aire adecuadas. Consultar la página 3.

## ADVERTENCIA:

⚠ Cada vez que se conecte una manguera o tanque a la unidad, la conexión debe ser revisada de diferentes maneras para detectar posibles fugas: Aplíquese agua jabonosa a la conexión, observe si hay burbujas, si escucha ruidos de escape de gas, si se siente frío extremo o si huele a huevo podrido. ¡No lo utilice si presenta fugas!

## ADVERTENCIA:

⚠ Cualquier cambio a este calentador o a sus controles puede ser peligroso.

## ADVERTENCIA:

⚠ Los síntomas tempranos de envenenamiento por monóxido de carbono se asemejan a los síntomas de la gripe, como por ejemplo dolor de cabeza, mareos y/o náuseas. Si usted tiene cualquiera de estos síntomas, es posible que el calentador no esté funcionando correctamente. ¡Ventile con aire puro inmediatamente! Haga reparar el calentador.

## ADVERTENCIA:

⚠ NO UTILICE ESTE CALENTADOR EN INTERIORES si el sitio cerrado, recreativo o comercial, no tiene ventanas o ventilación en el techo.

## ADVERTENCIA:

⚠ NO UTILICE ESTE CALENTADOR EN INTERIORES si el sitio cerrado, recreativo o comercial, no tiene ventana o ventilación en el techo. **EL ESTADO DE CALIFORNIA EXIGE LA SIGUIENTE ADVERTENCIA:** La combustión generada cuando se utiliza este producto contiene monóxido de carbono, un químico conocido en el estado de California reconoce como causante de cáncer y malformaciones congénitas (u otros daños reproductivos).

Este producto contiene sustancias químicas que el Estado de California que causa cáncer y defectos de nacimiento u otros daños reproductivos.

**AVISO:** No debe utilizarse en una "casa de vivienda" en California.

## ÍNDICE

Instrucciones generales de seguridad .....	3
Información general .....	3
Cómo manipular cilindros de propano descartables .....	4
Mantenimiento .....	4
Solución de problemas .....	5
Lista de piezas .....	6
Información para solicitar piezas de repuesto .....	8
Información sobre servicio técnico .....	8

## ESPECIFICACIONES

N.º DE MODELO .....	MH4B
TIPO DE GAS .....	PROPANO
ENTRADA BTU/HORA .....	3.800

### SEPARACIÓN PARA LOS COMBUSTIBLES

ARRIBA .....	30" (76 cm)
ADELANTE .....	24" (61 cm)
A LOS LADOS .....	6" (15 cm)
ATRÁS .....	0" (0 cm)

### Precaución:

- Cuando utilice el calentador en altitudes más de de **7.000 metros sobre el mar nivelar el calentador puede apagar.** (Por favor, lea la información general)

**INSTRUCCIONES GENERALES DE SEGURIDAD**  
**ESTE ES UN APARATO DE CALEFACCIÓN. NO HAGA**  
**FUNCIONAR ESTE APARATO SIN QUE ESTÉ INSTA-**  
**LADA LA REJILLA DE PROTECCIÓN DELANTERA. NO**  
**INTENTO CALENTAR O COCINAR EL ALIMENTO EN**  
**ESTE CALENTADOR.**

- No use accesorios no probados en este calentador.
- Debido a las altas temperaturas, el calentador debe colocarse fuera de los lugares por donde transitan personas y lejos de materiales combustibles.
- Se deberá alertar a los niños y a los adultos del peligro de las superficies con altas temperaturas, y que deben mantenerse alejados para evitar quemaduras o que se les prenda fuego la ropa.
- Los niños pequeños deben ser vigilados atentamente cuando están cerca del calentador.
- No coloque ropa u otros materiales inflamables sobre el calentador o cerca de él.
- No haga funcionar el calentador en vehículos en movimiento.
- Este calentador sólo puede utilizarse en un ambiente de recreación o comercial que tenga una ventana o una ventilación en el techo. También puede utilizarse en el exterior.
- Este calentador necesita una superficie de ventilación mínima de 4 pulgadas cuadradas (25,8 cm cuadrados), (por ejemplo, una ventilación de 2 pulgadas x 2 pulgadas, o de 5 cm x 5 cm) para lograr una ventilación adecuada durante el funcionamiento. No utilice otros aparatos a combustible en el mismo ambiente.
- LA PRESIÓN DEL GAS EN EL CALENTADOR ESTÁ REGULADA Y FIJADA EN 11" W.C.
- MIENTRAS ESTÉ EN USO EL CALENTADOR, SIEMPRE DEBE ESTAR FUNCIONANDO EL REGULADOR.
- Toda pantalla o protección de seguridad que se haya quitado para realizar el mantenimiento deberá volver a instalarse antes de poner en funcionamiento el calentador.
- El calentador debe inspeccionarse antes de cada uso. Es posible que sea necesario realizar limpiezas frecuentes. Los compartimientos de control, el quemador y los lugares por donde circula el aire del calentador deben mantenerse limpios (consultar la sección de MANTENIMIENTO).
- NO use este calentador si alguna de sus partes se ha sumergido en agua. Llame inmediatamente a un servicio técnico habilitado para que inspeccione el calentador y reemplace toda parte del sistema de control y del control del gas que haya estado sumergida en agua.
- Cuando se lo utiliza con una combustión o una ventilación de aire inadecuada, este calentador puede emitir excesivo MONÓXIDO DE CARBONO, un gas tóxico inodoro.
- A algunas personas (p. ej., las mujeres embarazadas, las personas con enfermedad cardíaca o pulmonar, anemia, bajo la influencia del alcohol, o que viven en la altura) las afecta más el monóxido de carbono que a otras.

- Cuando coloca el calentador en el suelo, asegúrese de que esté nivelado y mantenga los objetos al menos a 24 pulgadas (61 cm) de distancia del frente del calentador. ESTE CALENTADOR ESTÁ EQUIPADO CON UN INTERRUPTOR DE SEGURIDAD QUE LO APAGARÁ SI SE CAE; SIN EMBARGO, PRÉSTELE ATENCIÓN Y NO LO DEJE EN DONDE LOS NIÑOS PUEDAN HACERLO CAER. ¡NUNCA HAGA FUNCIONAR EL CALENTADOR MIENTRAS DUERME!

**INFORMACIÓN GENERAL:**

- Este calentador es seguro para uso en interiores de ambientes recreacionales pequeños, que tengan medios de suministro de aire para la combustión y ventilación, como galerías, cabañas, refugios de pesca, remolques, carpas remolque, carpas, cabinas de camiones y camionetas. Puede ser utilizado para la calefacción de emergencia interior cuando está conectado a un cilindro de propano desechable 1 lb y para uso en interiores en recintos comerciales, que tiene medios para proporcionar aire de combustión y la ventilación, tales como la construcción de remolques o recintos de trabajo temporal.

**Nota:** El calentador puede utilizarse en el exterior, pero tenga en cuenta que se puede apagar con el viento.

- Cuando el calentador está frío o a temperatura ambiente, el azulejo del quemador tardará algunos minutos en volverse anaranjado. Esto es normal e indica que el calentador está funcionando correctamente. Si el azulejo del quemador está visiblemente en llamas, apague el calentador y llame a un servicio técnico habilitado.
- Cuando el aparato está encendido, un cuarto de pulgada (1/4"; 0,6 cm) alrededor del borde del azulejo no se volverá anaranjado brillante. Esto es normal.
- Cuando el calentador funciona por primera vez, la parte superior del reflector puede perder el color. Esto también es normal y no hay razón para preocuparse.
- Cuando el calentador funciona a alturas superiores a los 7.000 pies de altitud (2.100 metros) sobre el nivel del mar, es posible que la unidad no arda con un color tan brillante como en altitudes menores. Esto es normal. En altitudes mayores, el calentador puede apagarse. Si ocurre esto, debe permitir que entre aire fresco, esperar 5 minutos y encender nuevamente. Debido a las condiciones atmosféricas locales, es posible que el calentador no encienda.
- Cuando mueva, encienda o golpee el calentador, éste podrá inclinarse y el interruptor de seguridad podrá apagarlo. Si pasa esto, vuelva a encenderlo.
- El tiempo de funcionamiento será de aproximadamente 5 horas y media con un cilindro de una libra. Debido a las propiedades de gas de LP, los tiempos de ejecución pueden ser considerablemente reducidos haciendo funcionar continuamente en temperaturas abajo 20°F.
- Debido al funcionamiento normal de los tanques pequeños, se puede formar condensación sobre ellos y gotear sobre la superficie que se halla debajo del calentador.

## INSTRUCCIONES DE USO Y ENCENDIDO

**ADVERTENCIA:** revise siempre el cilindro de propano antes de conectarlo, como también las conexiones de propano del calentador para detectar daños, suciedad y desechos. No use el calentador si el cabezal del cilindro está dañado, pinchado o deteriorado.

SIEMPRE CONECTE Y DESCONECTE EL CILINDRO DE GAS EN EL EXTERIOR, LEJOS DE LAS LLAMAS Y OTRAS FUENTES DE COMBUSTIÓN, Y SÓLO CUANDO EL CALENTADOR ESTÉ FRÍO AL TACTO. ¡NUNCA FUME CUANDO CONECTA O DESCONECTA EL CILINDRO DE PROPANO NI CUANDO REALIZA LAS CONEXIONES REMOTAS!

- Use sólo cilindros de gas propano etiquetados de acuerdo con lo dispuesto por el Ministerio de Transporte (DOT) de EE.UU.
- Use sólo los cilindros descartables de 16,4 onzas (1 lb.) que se ajustan con la válvula de conexión N. 600.
- El calentador y el cilindro deben estar en posición vertical durante su uso.
- Enrosque el cilindro de suministro de gas propano de 1 libra en el sentido de las agujas del reloj (desde abajo) en el calentador portátil hasta que quede apretado, y ajuste el cilindro en el soporte. No use el sellador de hilo en esta unión.
- Verifique que la conexión del cilindro no tenga pérdidas colocando agua jabonosa en la conexión enroscada debajo de la cubierta plástica abovedada donde el cilindro se atornilla en el regulador. VER LA ¡ADVERTENCIA! EN LA CUBIERTA PLÁSTICA.
- Pulse el botón "ON" para encender la llama del piloto (repita la operación hasta que se encienda el piloto) y manténgalo presionado durante 30-60 segundos.
- Después de que se encienda el piloto, suelte el botón "ON" para encender el calentador.
- Para apagar el calentador, pulse el botón "OFF".
- **PRECAUCIÓN:** después de apagar el calentador, la rejilla de protección permanecerá caliente. Déjela que se enfríe completamente antes de guardarlo.
- No manipular, guardar o quitar el cilindro cerca de elementos inflamables o fuentes de combustión.
- ¡LOS CILINDROS DE GAS PROPANO DEBEN DESCONECTARSE DEL CALENTADOR CUANDO NO ESTÉ EN USO!

## MANTENIMIENTO:

Mantenga siempre el lugar en donde se encuentra el calentador despejado y sin elementos combustibles, gasolina y otros vapores y líquidos inflamables.

Saque todos los elementos que puedan obstruir los puntos de ventilación (esto es, las ranuras de la parte superior e inferior del calentador).

Inspeccione la llama del piloto y el quemador en forma visual y periódica durante el uso del calentador. La llama del piloto debe ser de color azul (no amarillo) y debe extenderse hasta el termopar, o sensor de temperatura. La llama debe rodear el termopar justo debajo del extremo (ver figura 2).

Puede presentarse una llama levemente amarilla donde se cruzan las llamas del piloto y la llama principal del quemador. El quemador debe ser anaranjado brillante (con un color azul claro alrededor del borde; una bruma naranja rojiza que se ve en el azulejo de cerámica es aceptable) y no debe tener una

llama perceptible.

Una llama azul que se eleva de la parte superior del azulejo de cerámica indica una acumulación de polvo, pelusa o telas de araña dentro del conjunto de la cubierta y del conjunto principal del quemador. Si la llama del piloto es amarilla necesite una limpieza. Utilice el siguiente procedimiento para inspeccionar el conjunto de la carcasa y el conjunto principal del quemador. Es necesario revisar periódicamente el orificio y el quemador Venturi para asegurarse de que no contengan insectos, nidos ni telas de araña que puedan acumularse con el transcurso del tiempo. Un tubo tapado puede producir un incendio.

## INSTRUCCIONES DE LIMPIEZA:

1. Deje enfriar completamente el calentador antes de realizar cualquier mantenimiento.
2. Quite el cilindro de propano descartable de 1 lb. del calentador.

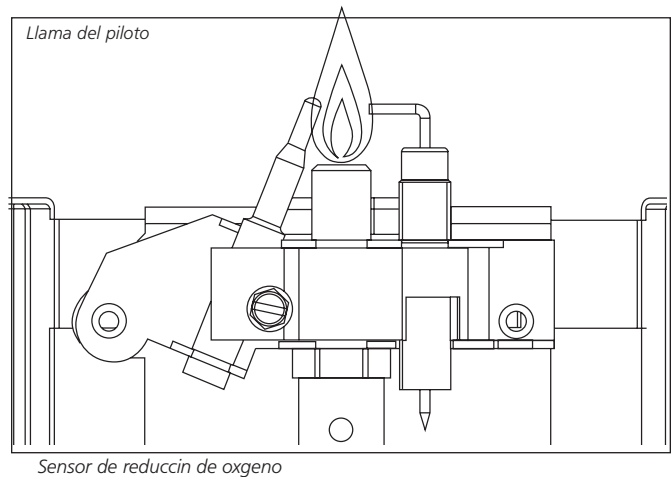


Figura 2

3. Quite el panel plástico de servicio del lado derecho (ref. 5) desatornillando los seis tornillos que lo sostienen.
  4. Inspeccione el interior de la carcasa para detectar la acumulación de polvo, pelusas o telas de araña. Si es necesario, limpie el interior del conjunto de la carcasa con una aspiradora o aire comprimido (máximo 30 PSI). Al limpiarlo, no dañe ningún componente del conjunto de la carcasa.
  5. Inspeccione y limpie el quemador principal (ref. 13) y el orificio (ref. 3) utilizando una aspiradora o aire comprimido (máximo 30 PSI).
  6. Inspeccione y limpie el tubo del piloto (ref. 14). Inserte un limpiador de tubería doble en el tubo del piloto hasta que llegue al orificio del piloto (aprox. 2" [5 cm]). Haga rotar el limpiador de tubería un par de veces y extráigalo. Elimine la suciedad restante con aire comprimido.
- ADVERTENCIA:** nunca use agujas, cables u objetos cilíndricos similares para limpiar el piloto, ya que pueden dañar el rubí calibrado que controla el flujo de gas a través del orificio del piloto.
7. Aplique aire comprimido (máximo 30 PSI) en el azulejo de cerámica del conjunto del quemador y del tubo Venturi (ref. 13) para quitar el polvo, la pelusa o las telas de araña.
  8. Vuelva a colocar el panel plástico de servicio.

## INFORMACIÓN PARA SOLUCIONAR PROBLEMAS:

*Si el electrodo de chispa no produce chispas:*

VERIFIQUE

- Si el electrodo de chispas está roto - reemplácelo.
- Es posible que el cable de ignición no esté conectado al electrodo de chispas.
- Cable de ignición dañado – reemplácelo.
- Encendedor piezoeléctrico defectuoso – reemplace el conjunto de la válvula de regulación.

*Si el electrodo produce chispas pero el piloto no enciende:*

VERIFIQUE

- Si no llega gas al calentador – vuelva a instalar o reemplace el cilindro de gas.
- Si el piloto está bloqueado por telas de araña o suciedad – limpie el piloto (consulte la sección de MANTENIMIENTO).

*Si la llama del piloto no queda encendida cuando se suelta el botn:*

VERIFIQUE

- Si se mantuvo presionado el botón “Piloto/ encendido” el tiempo suficiente para eliminar el aire de la línea.
- Si la llama del piloto no rodea el termopar – limpie el piloto (consulte la sección de MANTENIMIENTO).
- Si el conjunto del piloto está roto – reemplácelo.
- Los cables del interruptor de seguridad están desconectados – conecte el interruptor de seguridad (descarte el interruptor y el cableado del interruptor).

*Si el quemador principal no enciende:*

VERIFIQUE

- Si el orificio principal del quemador no está bloqueado – limpie el quemador (consulte la sección de MANTENIMIENTO).

*Si el quemador se apaga (OFF) mientras est funcionando:*

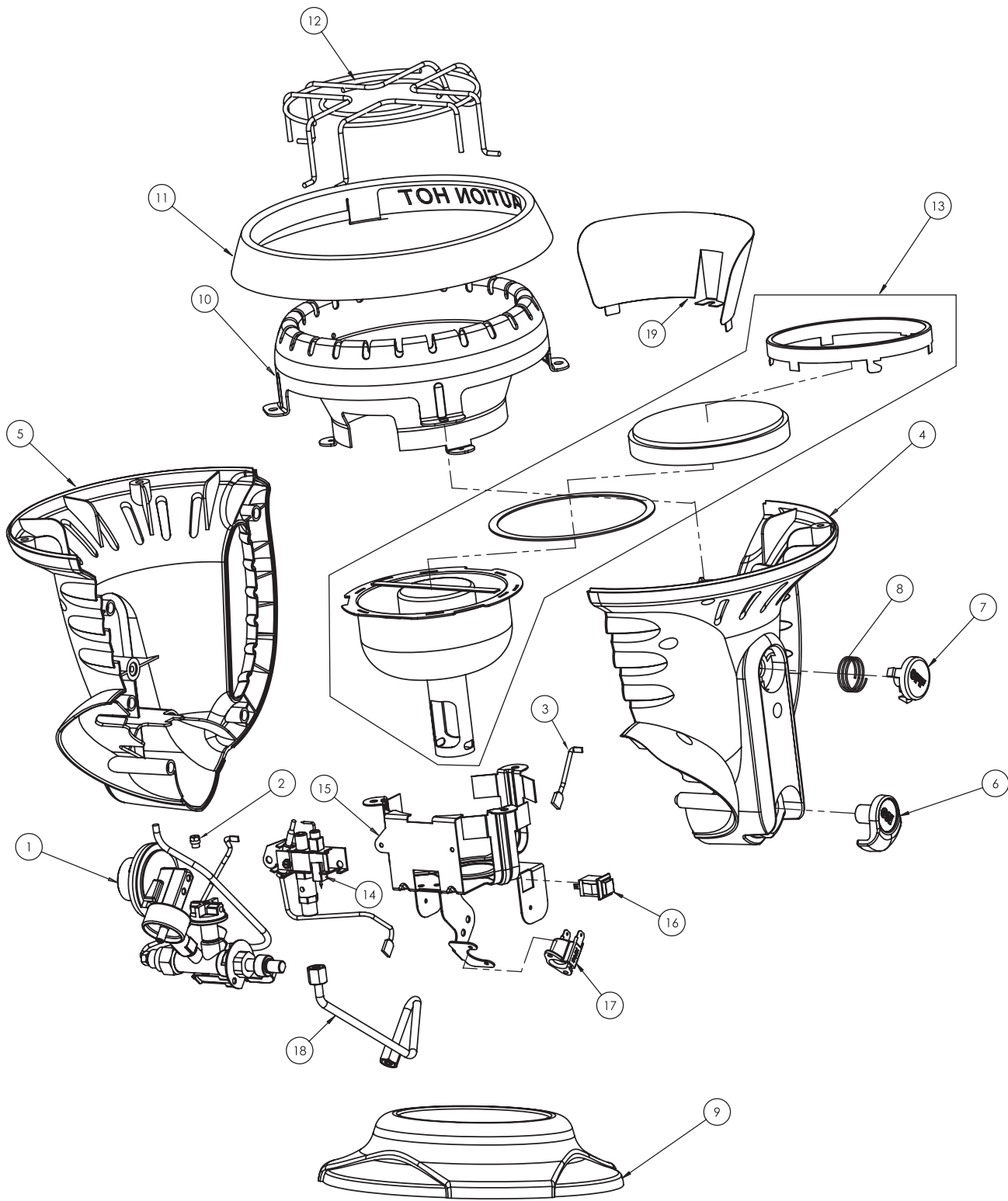
VERIFIQUE

- Si el piloto está bloqueado – limpie el piloto (consulte la sección de MANTENIMIENTO).
- Deje una ventilación mínima de aire fresco de 25,8 cm cuadrados (ejemplo: una abertura de 5 cm x 5 cm).
- Si se activó el interruptor de seguridad al golpear el calentador. Enciéndalo nuevamente.

o el quemador tiene una llama perceptible, es posible que

—DEJADO EN BLANCO INTENCIONALMENTE—

Mr. Heater MH4B







# INSTRUCCIONES DE USO Y MANUAL DEL USUARIO

Modelo #

MH4B

**LEA LAS INSTRUCCIONES ATENTAMENTE:** Lea y siga todas las instrucciones. Guarde estas instrucciones en un lugar seguro por si necesita consultarlas en el futuro. No permita que nadie que no haya leído estas instrucciones arme, encienda, ajuste o haga funcionar el calentador.

## **ADVERTENCIA:**

- USE SÓLO LOS REPUESTOS PROVISTOS POR EL FABRICANTE. EL USO DE CUALQUIER OTRO REPUESTO PUEDE CAUSAR LESIONES O LA MUERTE. LAS PIEZAS DE REPUESTO SÓLO ESTÁN DISPONIBLES DIRECTAMENTE DE FÁBRICA Y DEBEN SER INSTALADAS POR UN SERVICIO TÉCNICO HABILITADO.

## **ADVERTENCIA:**

- ESTE PRODUCTO ES UN CALENTADOR. SE CERTIFIQUE A CSA INTERNATIONAL SECCIÓN DE REQUISITOS 4.98, "A GAS CALENTADORES PORTÁTILES PARA USO RECREATIVO O COMERCIAL." ESTE PRODUCTO ES NUNCA UTILIZADO PARA LA COCCIÓN O CALENTAMIENTO DE ALIMENTOS YA QUE ESTO PUEDE INTERFERIR CON LOS SISTEMAS DE SEGURIDAD DEL CALENTADOR, QUE PUEDEN RESULTAR EN UN INCENDIO, EXPLOSIÓN, EL PRODUCCIÓN DE MORTAL MONÓXIDO DE CARBONO, Y LESIONES O LA MUERTE A USTED U OTROS. NUNCA USO ARTESANAL O DE TERCERAS PARTES ACCESORIOS O COMPLEMENTOS CON ESTE CALENTADOR; ESTO ES EXTREMADAMENTE PELIGROSO Y PUEDE RESULTAR EN LESIONES O LA MUERTE A USTED U OTROS.

## **INFORMACIÓN PARA SOLICITAR PIEZAS DE REPUESTO:**

**COMPRAS:** los accesorios pueden comprarse en cualquier distribuidor local de Mr. Heater o directamente en la fábrica

### **PARA OBTENER INFORMACIÓN SOBRE EL SERVICIO TÉCNICO**

**VISITA:** [www.mrheater.com](http://www.mrheater.com)

O llame gratis al 800-251-0001

Nuestro horario de atención es de lunes a viernes, de 08:00 a.m. a 05:00 p.m., tiempo del este (EST).

Incluya en todas las consultas el número de modelo, la fecha de compra y la descripción del problema.

## **GARANTÍA LIMITADA**

Mr. Heater, Inc. garantiza que sus calentadores y accesorios no tendrán defectos en los materiales o de fabricación durante un período de 1 año desde la fecha de compra. Mr. Heater, Inc. reparará o reemplazará este producto en forma gratuita si se comprueba que tiene un defecto de fábrica dentro del año de garantía, y si se devuelve a Mr. Heater, Inc. dentro del período de la garantía, debiendo el cliente hacerse cargo de los gastos de devolución.

Mr. Heater, Inc. se reserva el derecho de hacer cambios en cualquier momento, sin notificación u obligación, a los colores, las especificaciones, los accesorios, los materiales y los modelos. Esta garantía le otorga derechos legales específicos, y usted también puede tener otros derechos que varían de un estado a otro.

Enerco Group, Inc. se reserva el derecho de realizar cambios en cualquier momento, sin aviso u obligación, en los colores, las especificaciones, los accesorios, los materiales y los modelos.

REGISTRO DE PRODUCTO: Gracias por su compra.  
Por favor entre al sistema a <http://www.egiregistration.com> para registrar su producto.

MR. HEATER, INC., 4560 W. 160TH ST., CLEVELAND, OHIO 44135 • 800-251-0001  
Mr. Heater and Portable Buddy are registered trademarks of Enerco Group, Inc.  
© 2017, Enerco/Mr. Heater. All rights reserved

